

Gummed Tape Dispenser

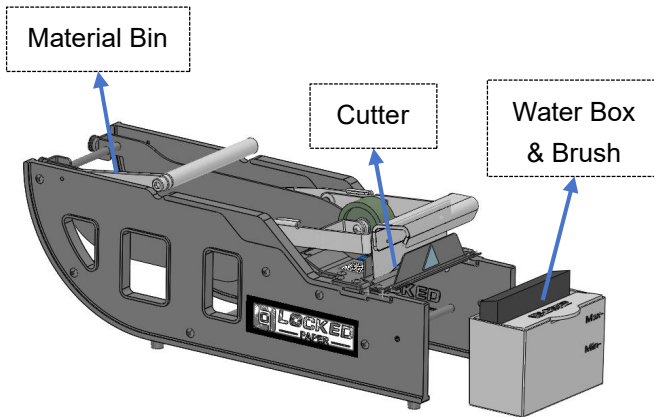
MG80 User Manual

1. Safety Precautions

Do not touch the cutters during maintenance and repair to prevent potential injury.



2. Product Overview



Name/Type	Gummed Tape Dispenser-MG80
Weight	5.2kg (11.5lb)
Dimension	368x124x132mm
Material Width	40~80 mm
Max Roll DIA	200mm

3. Operation

1) Fill the water box and soak the brush, it takes around 15 minutes. (Make sure the brush is soaked)



2) Flatten the soaked brush end to ensure even distribution of bristles, avoiding clumps or spreading.



3) Raise the guide bar and place the paper tape. (Please ensure the gummed side faces downwards.)



4) Adjust the left and right side guide plate according to the width of the paper tape to ensure the tape is centered.



5) Insert the tape into the entrance, rotate the tape roller, pull the tape at the exit.



6) For first use, pull out a piece of tape, then place the water box and tighten the screws on both sides.



7) Once the tape pulls smoothly without jamming, you can press the cutter to cut the tape to the desired length.



NOTE: Pull out the tape horizontally to ensure that the glue surface can fit on the brush.

4. Maintenance

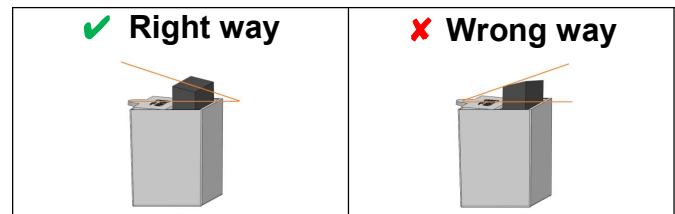
To ensure the optimal working condition of the tape dispenser, please pay attention to the maintenance.

1) Wash and clean the water box and brush.

The glue on the tape may accumulate and reduce the water application capacity of the brush, so it is necessary to clean the brush with mild soapy water every week.

Warning: Do not cut the ends of the brush to remove hardened glue stains, as excessively short brushes will not function properly.

NOTE: The lower side is near to the cutter.



2) Keep the cutter clean

In order to ensure proper cutting of the tape, the cutter must remain free of dried glue, dust, and other debris. So, it is necessary to regularly clean the cutter.

Warning: Please be cautious during any cleaning operations to avoid injury from the cutter.